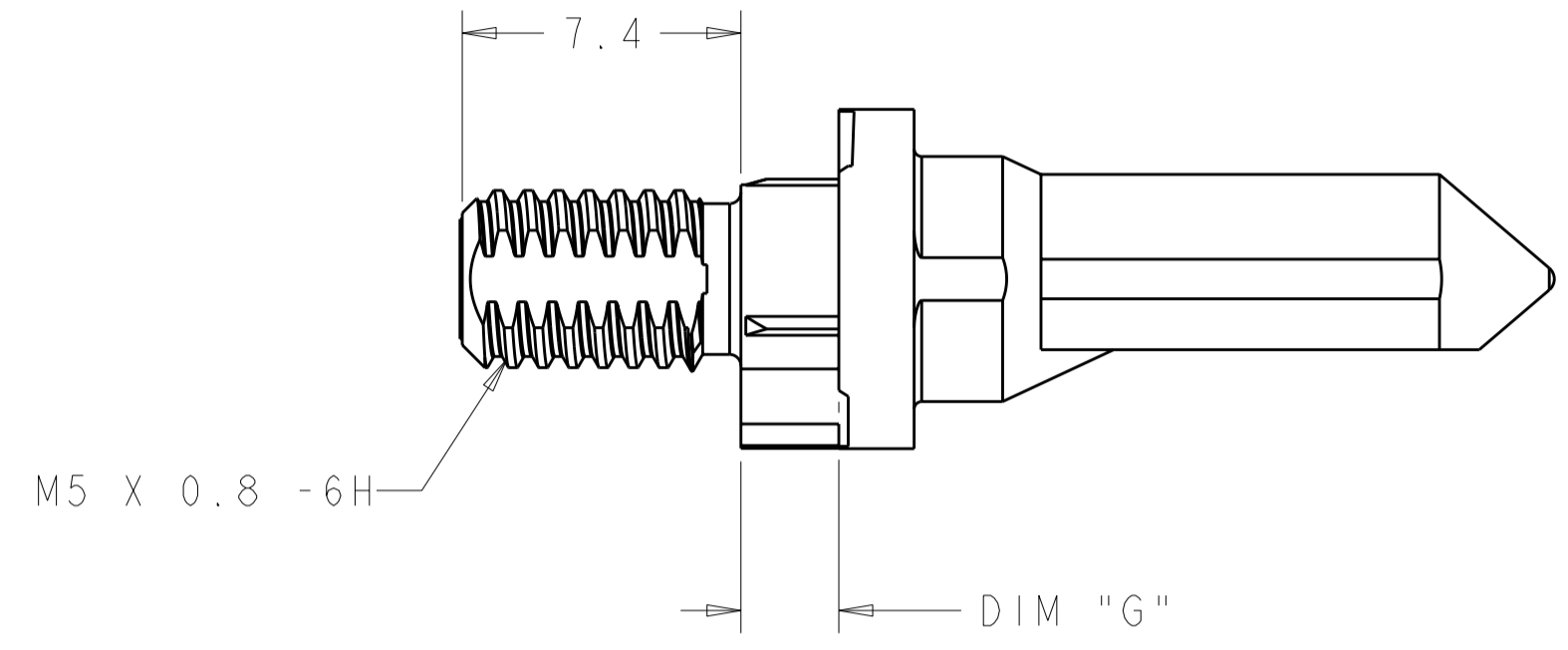
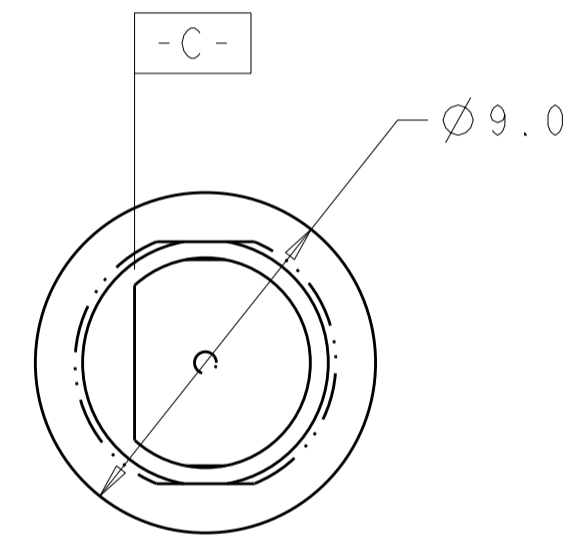
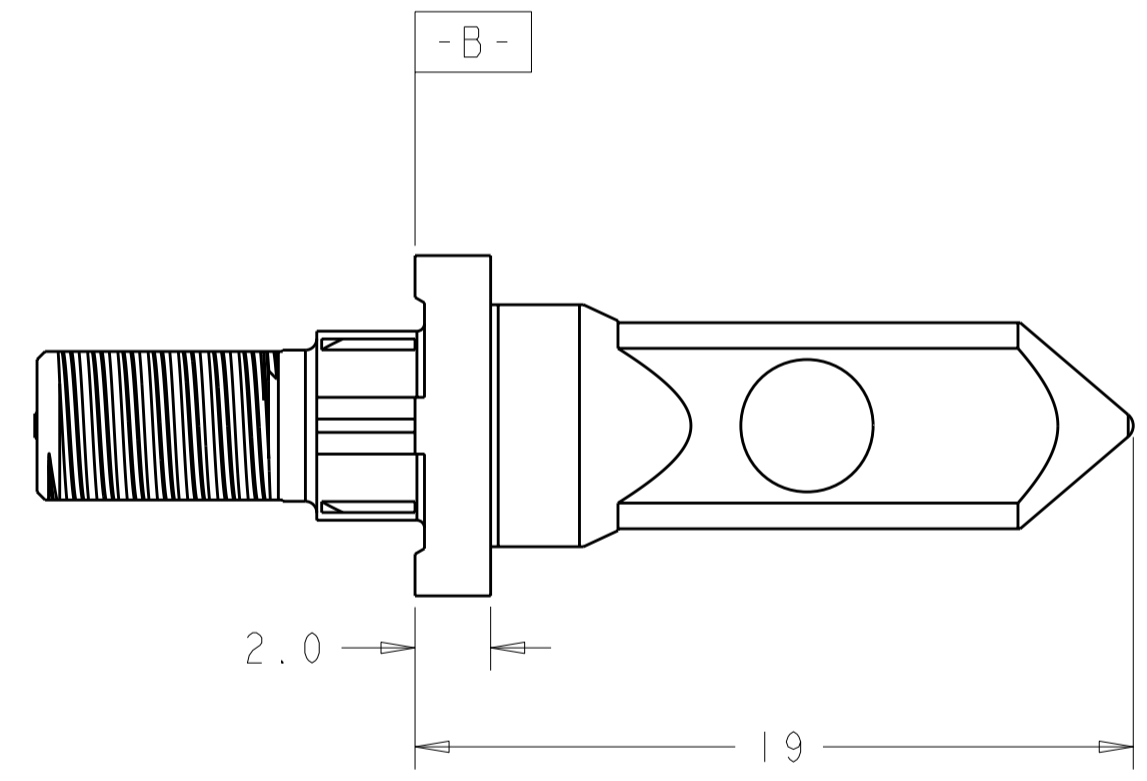
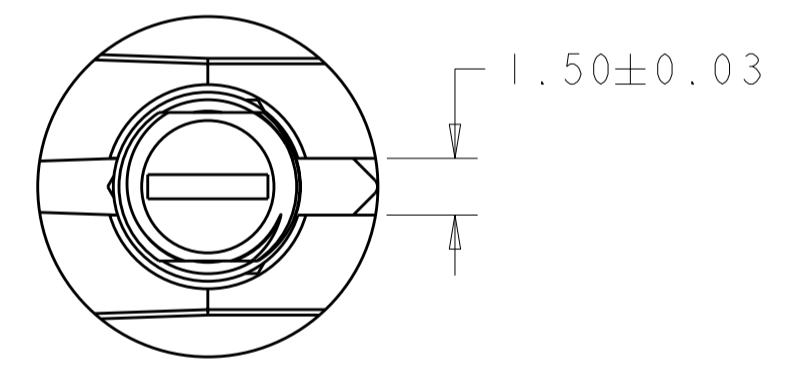


THIS DRAWING IS UNPUBLISHED. RELEASED FOR PUBLICATION 20  
 © COPYRIGHT 20 BY TYCO ELECTRONICS CORPORATION. ALL RIGHTS RESERVED.

LOC	DIST	REVISIONS					
CG	00	P	LTR	DESCRIPTION	DATE	DWN	APVD
			A	REV PER ECO-09-022892	21OCT2009	BC	RP



- 1 KEY HOLE ORIENTATION (DIM A) PER MATING GUIDE MODULE PART NUMBER TABLE (ORIENTATION SHOWN ON PCB LAYOUT IS FOR 1-1469492-2).
- 2 ANNULAR RING PLATED AROUND GUIDE PIN MOUNTING HOLE ON TOP AND BOTTOM SIDE OF BOARD.
- 3 FINISH:  
3.81µm MINIMUM SILVER IN CONTACT AREA OVER NICKEL OVER COPPER ALL OVER.

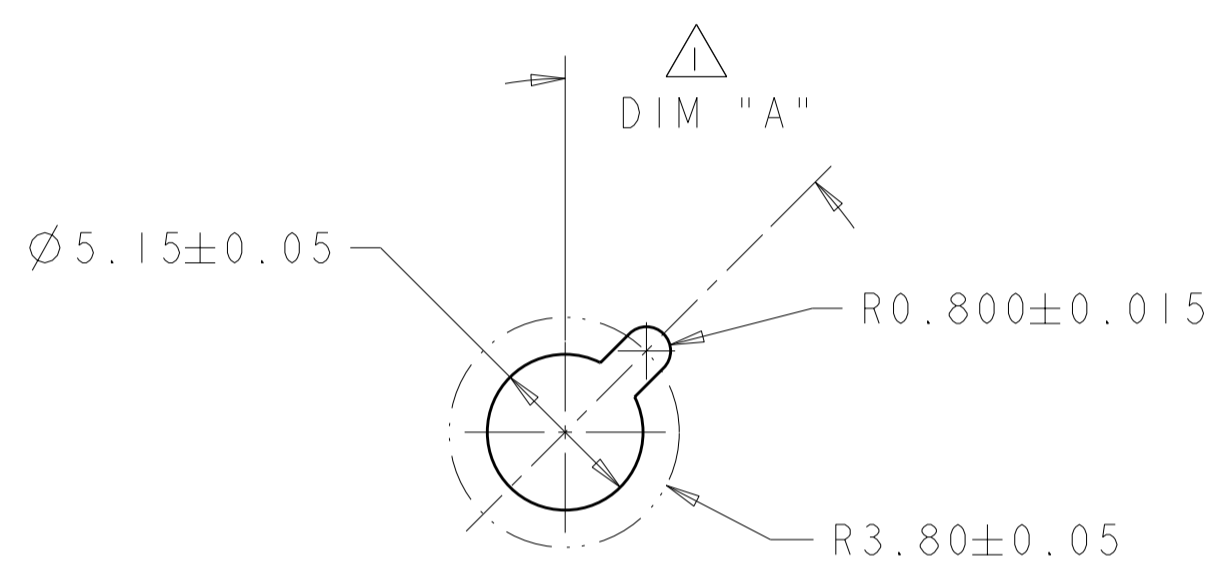


3	5.70	1-1410999-4
3	4.20	1-1410999-3
3	2.60	1-1410999-2
FINISH	DIM "G"	PART NUMBER

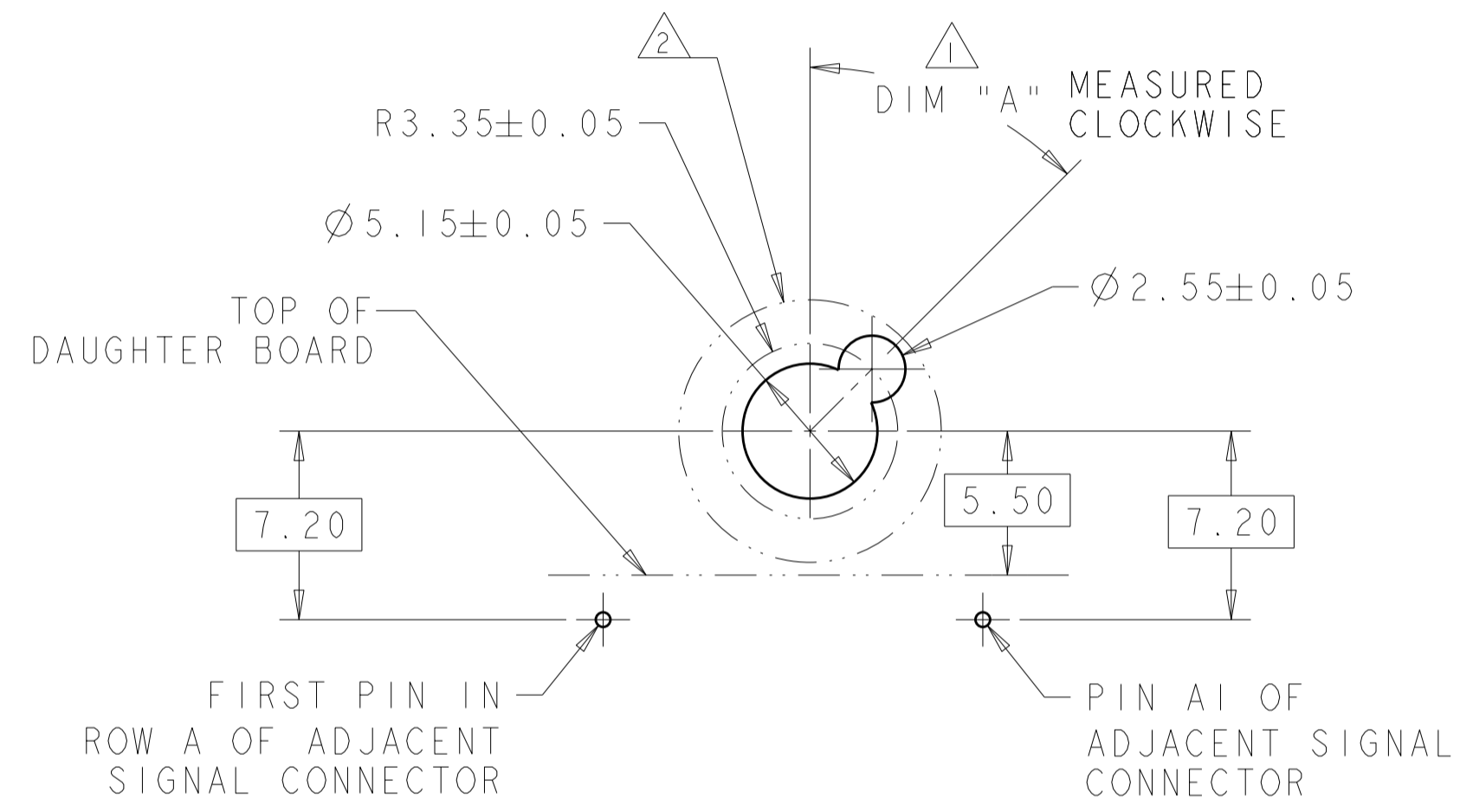
<small>THIS DRAWING IS A CONTROLLED DOCUMENT FOR TYCO ELECTRONICS CORPORATION. IT IS SUBJECT TO CHANGE AND THE CONTROLLING ENGINEERING ORGANIZATION SHOULD BE CONTACTED FOR THE LATEST REVISION.</small>		DWN B. CARBO 22AUG2006 CHK G. GRIFFITH 22AUG2006 APVD G. GRIFFITH 22AUG2006	Tyco Electronics Harrisburg, PA 17105-3608
DIMENSIONS: mm 	TOLERANCES UNLESS OTHERWISE SPECIFIED: 0 PLC ± 1 PLC ±0.5 2 PLC ±0.13 3 PLC ±0.013 4 PLC ± ANGLES ± FINISH	PRODUCT SPEC 108-2072 APPLICATION SPEC 114-13056 WEIGHT -	NAME KEYED GUIDE PIN, DIE CAST BACKPLANE CONNECTOR, MULTIGIG, THREADED POST SIZE A2 CAGE CODE 00779 DRAWING NO. 1410999 RESTRICTED TO -
MATERIAL	1	2	CUSTOMER DRAWING SCALE 5:1 SHEET 1 OF 2 REV A

THIS DRAWING IS UNPUBLISHED. RELEASED FOR PUBLICATION 20  
 © COPYRIGHT 20 BY TYCO ELECTRONICS CORPORATION. ALL RIGHTS RESERVED.

LOC	DIST	REVISIONS					
CG	00	P	LTR	DESCRIPTION	DATE	DWN	APVD
		-		SEE SHEET 1			



ALTERNATE PCB LAYOUT FOR GUIDE POST  
SCALE 4:1



TIER 2 GUIDE PIN FOOTPRINT  
(20.3mm SIGNAL MODULES)  
SCALE 4:1

3	-	1-1469492-9
3	315°	1-1469492-8
3	270°	1-1469492-7
3	90°	1-1469492-3
3	45°	1-1469492-2
3	0°	1-1469492-1
FINISH	DIM "A"	20.3mm GUIDE MODULE
MATING GUIDE MODULE 1		

THIS DRAWING IS A CONTROLLED DOCUMENT FOR TYCO ELECTRONICS CORPORATION. IT IS SUBJECT TO CHANGE AND THE CONTROLLING ENGINEERING ORGANIZATION SHOULD BE CONTACTED FOR THE LATEST REVISION.		DWN B. CARBO 22AUG2006	Tyco Electronics Harrisburg, PA 17105-3608	
DIMENSIONS: mm		CHK G. GRIFFITH 22AUG2006	NAME KEYED GUIDE PIN, DIE CAST BACKPLANE CONNECTOR, MULTIGIG, THREADED POST	
TOLERANCES UNLESS OTHERWISE SPECIFIED: 0 PLC ± 1 PLC ±0.5 2 PLC ±0.13 3 PLC ±0.013 4 PLC ± ANGLES ± FINISH		APVD G. GRIFFITH 22AUG2006	RESTRICTED TO	
MATERIAL		PRODUCT SPEC 108-2072	SIZE A2	CAGE CODE 00779
		APPLICATION SPEC 114-13056	DRAWING NO 1410999	REV A
		WEIGHT	SCALE 1:1 SHEET 2 OF 2	
		CUSTOMER DRAWING		